

**Bushwhacker**



**MODEL: BIG EYE D3**

**Catch the action  
with your BIG EYE**

## **INFRARED WILDLIFE SCOUTING CAMERA**

**Two high accuracy timers  
16MP and 1080P@30FPS  
0.5 second trigger time**

**USER GUIDE**

VER.201701

## CONTENTS

1	Quick Start Guide.....	1
1.1	Introduction.....	1
1.1.1	Main Features .....	1
1.1.2	Application .....	2
1.2	Camera Overview .....	3
1.3	Power/Mode Switch.....	4
1.3.1	Enter Into Test Mode .....	4
1.3.2	Enter Into ON Mode .....	4
1.4	Start Shooting.....	4
1.4.1	Load Battery .....	4
1.4.2	Insert SD card.....	4
1.4.3	Set Clock .....	5
1.4.4	Return Factory Default Setting .....	5
1.4.5	Start Shooting .....	5
1.4.6	Replay .....	5
1.4.7	Delete .....	5
1.5	Attentions.....	5
1.5.1	Battery .....	5
1.5.2	SD Card.....	6
1.5.3	Others .....	6
1.6	Menu.....	6
2	Product Technical Parameters .....	10
3	Keypad Learning.....	13
3.1	Keypad.....	13
3.2	“REPLAY” Button .....	14
4	Details of Partial Function.....	15
4.1	Timer.....	15
4.2	Set Clock.....	15
4.3	Connecting to Computer .....	15
4.4	Connecting to TV .....	16
4.5	Language.....	16
4.6	Firmware Upgrades.....	16
5	FAQ .....	18
6	Warranty Policy.....	19
7	Contents of box .....	20
8	Statements.....	21

# 1 Quick Start Guide

## 1.1 Introduction

Big Eye D3 wildlife game camera (also called hunting camera/trail camera) is a scouting device. It can be triggered by sudden change of ambient temperature caused by moving game in a region of interest, which is detected by a highly sensitive Passive Infra-Red (PIR) sensor, and then take pictures or video clips automatically. The camera can achieve more applications through Timer, Interval, PIR Sleep and other function settings.

### 1.1.1 Main Features

- 1) Programmable 3/5/8/12/16 Mega-pixel high-quality resolution.
- 2) 1080P@30FPS Full HD video comes with sounds.
- 3) In "Camera + Video" Mode, camera takes both pictures and video at every trigger event.
- 4) 42pcs IR LEDs, Set 20pcs LEDs available in power saving mode; 850nm/940nm LEDs optional.
- 5) Impressively quick Trigger Time (0.5 seconds).
- 6) Build-in 2.4" TFT color screen to review photos and videos.
- 7) Locking important image to avoid being deleted.
- 8) Take multiple consecutive pictures up to 6 photos.
- 9) Two high accuracy timers. When Timer setting is turned on, programmable to only work in specified period every day.
- 10) PIR Sleep setting can avoid the camera shoot the same object multiple times. This feature can be used together with Timer feature to meet your timetable.
- 11) In Interval setting, the camera automatically and constantly takes pictures/videos at specified interval. It's very useful when observing plants flowering, birds building nest, or when monitoring unattended properties such as parking lots/yards. This feature can be used together with Timer feature to meet your timetable.
- 12) Auto power off in 1-10 minutes while no keypad controlling.
- 13) Date, time, temperature and moon phase can be stamped in the pictures.
- 14) 7 operation buttons beep sound on/off available.
- 15) Free choice of TV out at PAL/NTSC.
- 16) Support SD Card up to 64GB.
- 17) Extremely long in-field battery life (in standby mode, up to 6

months with 8\*AA batteries).

- 18) Alarm light flashing when battery power level goes low.
- 19) Playbacks zoom in 1-8 times.
- 20) Nine-rectangle-grid mode to view images.
- 21) Auto play in “Slide Show”.
- 22) Device Number will be showed on image file name, this helps users identify which camera captured the image when review it.
- 23) Lockable and password protected.
- 24) Color pictures at daytime, monochrome pictures at night, switched automatically.
- 25) SD card can be set in “Loop Recording” mode, which automatically deletes the earliest photos or videos and makes room for new ones.
- 26) Serration design make camera easy to fix firmly.
- 27) Battery cover to prevent erosion from battery leakage which may damage the camera.

### 1.1.2 Application

- Camera trap for hunting, animal or incident observation
- Indoor/outdoor surveillance for domestic, office, warehouse, farm or public use
- Observing wild animals/plants growth process
- For forestry bureau and forest public security to surveil and take evidence of stealing hunting, etc.
- Other evidence-taking works

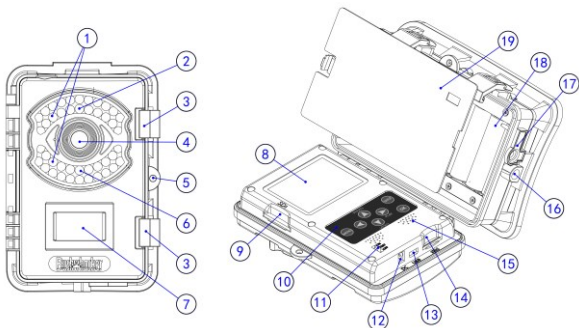


#### **Warning:**

**Please read the user guide carefully before using this product to avoid unnecessary loss!**

**Do not attempt to disassemble the camera, non-product quality problems and man-made damages will not be covered under warranty!**

## 1.2 Camera Overview



①	IR LED	⑧	TFT Screen	⑮	Speaker
②	Indicator Light	⑨	SD Card Slot	⑯	Tripod Nut
③	Lock Buckle	⑩	Keypad	⑰	DC In
④	Lens	⑪	Power/Mode Switch	⑱	Battery Slot
⑤	Lock Hole	⑫	DC Port	⑲	Battery Slot Cover
⑥	Light Sensor	⑬	USB/TV Cable Port		
⑦	PIR Sensor	⑭	SIM Card Slot ( Just for GPRS model)		

### 1.3 Power/Mode Switch

Power/Mode switch has 3 operation modes: OFF/TEST/ON.

OFF: to turn off the camera.

TEST: to set operational parameters.

ON: to work under surveillance status.

#### 1.3.1 Enter Into Test Mode

Move power switch to “TEST” to enter into Test mode, TFT screen displays normally. Operations can be done under this mode: set parameters; manual photograph and record video; review/delete picture and video; test the work area of the PIR sensor.

#### 1.3.2 Enter Into ON Mode

Move power switch to “ON” position. Enter into “ON” mode after red & blue indicator light flash, TFT screen is off. If animals (people or other objects) enter the surveillance area, camera will take photos/videos automatically according to default setting.



**Note:** On “TEST” mode, the red indicator light flashes one time at every 10seconds. When animals (people or other objects) enter the surveillance area the blue indicator light flashes. In “ON” Mode, camera starts successfully if red indicator light flashes 6 times and then blue indicator light flashes 3 times continually. Later the indicator light won't turn on unless the voltage is too low. The camera fails to start if blue indicator light keep lighting. Red indicator light flashes 60 seconds when voltage is low.

### 1.4 Start Shooting

#### 1.4.1 Load Battery

Install 4xAA or 8xAA alkaline/built-in batteries. Make sure the polarity matches the sign on the cover.



**Note:** User has to purchase battery extra.

#### 1.4.2 Insert SD card

Insert SD card into “SD” card slot. The supported memory capacity is up to 64GB. Please make sure to format the SD card before using, in case the upgrading procedure, picture, video and other files in the SD card will affect the camera's normal use.



Note: User has to purchase battery extra.

### **1.4.3 Set Clock**

Find “Set Clock” in the menu of “System” to set local time.

Time and Date setting will restore factory defaults when power outage.

### **1.4.4 Return Factory Default Setting**

Find “Default Set” in the menu of “System” to confirm the camera takes photos/videos according to default setting.



Note: Users can set parameters according to shooting requirements.

### **1.4.5 Start Shooting**

Move power switch to “ON” position, start shooting by putting the camera on observation place.



Note: In “ON” mode, TFT screen shut down automatically to save power, keypad is not working.

### **1.4.6 Replay**

On “TEST” mode, press “Replay” to review image on TFT screen.

### **1.4.7 Delete**

Unnecessary images can be deleted when playback. Press “Replay” button to view images, When screen show the image that you want to delete, first press “Menu” button and choose “Delete”, then press “OK” button and choose “Delete Current, choose “OK” and confirm delete the current image by pressing “OK” button. All images in SD card can be deleted by using this function.

## **1.5 Attentions**

### **1.5.1 Battery**

To supply power, it is recommended to use new high-performance alkaline AA batteries, make sure the polarity matches the sign on the cover. If you are not using the camera for an extended period of time, please remove batteries from the camera to avoid possible acid leak that may damage the camera.

Alternatively the camera can run on external (6V/2A) DC power supply, solar power supply etc.

On “TEST” mode when battery power level gets low, the message “Battery Low” will show on TFT screen(the battery icon in bottom right corner is empty and marked with red “X”); In “ON” mode, red indicator light flashes 60 seconds.

### **1.5.2 SD Card**

Please insert SD card correctly. Photos are saved in JPEG and videos are saved in MOV. The supported memory capacity is up to 64GB. It’s recommended to use high speed SD card not less than class 10 to achieve the best performance. Please don’t take out batteries, SD card or power supply when camera in “ON” mode!



Note: Before insert SD card, please make sure the write-protect switch on the side of the SD card “off” (not in the “Lock” position).Installed correctly and format SD card to prevent any failure.

### **1.5.3 Others**

On “TEST” mode, camera will be auto power off while no keypad controlling. Please switch to “TEST” mode again if you want to continue to use. Auto power off time can be set by users.

Please keep power on during upgrade process. After finishes upgrade, it needs to keep at least 5seconds before you can shut down or cut off power, otherwise it may causes upgrade failure.

When install camera please make sure there are not moving objects in 3m area in front of lens such as branches, leaves, weeds, strings, color ribbon and other objects which may fluttered in the wind to avoid potential false triggers.

Please do not aim the camera at a heat source such as boiler, exhaust vents and light, etc. Avoid mistaking photos or videos and shortening stand-by time.

## **1.6 Menu**

Press “MENU” button to switch between “Image” “Set” and “System”. Select different parameters by moving ▲/▼,press ◀/▶ to change the setting, “OK” to confirm the change, press “REPLAY” to enter into replay mode, press “EXIT” to return to the previous menu or exit.



Parameter	Settings ( <b>Bold</b> =Default)	Description
Image		
Mode	<b>Camera</b> /Video/ Camera + Video	In “Camera + Video” mode, first take photos per shooting numbers, then record video per video length.
Image Size	3MP/5MP/8MP/ <b>12MP</b> /16MP	Higher resolution produces better quality photos, but creates larger files that take more of SD card capacity and longer time to write to the SD card.
Video Size	VGA/WVGA/ 720P/ <b>1080P</b>	Higher resolution produces better quality videos, but creates larger files that take more of SD card capacity and longer time to write to the SD card.
Shooting No.	<b>1</b> /2/3/4/5/6	Camera takes multiple consecutive photos according to user’s settings per each trigger event. <b>Note:</b> 1-3 photos available when choosing 16MP.
Video Length	<b>5s</b> /10s/15s/20s/ 30s/45s/ 1minute/ 2 minutes/ 3 minutes/ 5 minutes/ 10 minutes	Videos are saved in MOV format and able to display on most of video media player.
Set		
Device No.	<b>BUSH</b>	4 digits (0~9) and/or alphabets (A~Z) optional. Device Number will be showed on top 4 image file name, this helps users identify which camera captured the image when review it.
Timer	<b>Off</b> /On	Set camera to work within specified time period every day. Outside the time period the camera will not be triggered or take photos/videos. See details in <b>4.1 Timer</b> .

PIR Sleep	Off/ <b>3s</b> /5s/10s/15s /30s/1 minute/ 2 minutes/ 5 minutes/ 10 minutes/ 20 minutes/ 30 minutes/1 hour	Select the PIR sleep time, the PIR will be disabled after each triggering. After this period of time the PIR of the device will wait to be triggered by the motion of human (or animals).
Interval	<b>Off</b> /5s/10s/15s/ 30s/1 minute/ 2 minutes/ 5 minutes/ 10 minutes/ 20 minutes/ 30 minutes/ 1 hour/2 hours/ 6 hours/ 12 hours/ 18 hours/ 24 hours	The camera will automatically take photos/videos at the set interval.  <b>Note:</b> In this mode, the PIR sensor is disabled.
Stamps	Off/ <b>On</b>	Select On if you want the LOGO, temperature, moon phase, date and time imprinted on every photo.
Power Saving	<b>Off</b> /On	Select On, there will be only 20pcs LEDs available. PIR setting activates "Low" sensitivity only.
Auto Power Off	<b>1 minute</b> / 3 minutes/ 5 minutes/ 10 minutes	Auto power off at fixed time if no keypad controlling.
Record Sound	Off/ <b>On</b>	Select On if you want to record sound in video.
PIR Level	Low/ <b>Normal</b> /Hi gh	User can set PIR sensitivity according to requirements.
<b>System</b>		
Format	<b>SD card</b>	Format SD card.
Set Clock	<b>2015/01/01</b> <b>00:00</b>	Set camera system time and date.

Default Set	<b>Factory</b>	Return menu setting to defaults.
Language	<b>English</b>	Support many languages, See <b>4.5 Language</b> .
Beep Sound	Off/ <b>On</b>	Choose OFF to turn off the sounds made by pressing the buttons.
Loop Recording	Off/ <b>On</b>	When SD card full, it will automatically deletes the earliest photos or videos and makes room for new ones.
TV Mode	<b>PAL/NTSC</b>	Set local TV format when camera connects to TV.
Password Set	<b>1234</b>	4 digits (0~9) optional. Contact distributor if you forget the password.
Software Ver.	BW_D301_15.2. 1	BW: Brand Abbreviation 01:Language Version 15:Year of Software Version 1.2:Version of software
<b>Replay</b>		
Delete	<b>Delete Current/</b> Delete All	Delete one/all image.
Protect	<b>Lock Current/</b> Unlock Current/ Lock All/ Unlock All	Lock important images to avoid deleting accidentally. If locked, images can't be deleted unless you unlock them.
Slide Show	<b>3s/5s/8s</b>	Auto play images at the set Interval in the way of slide show.

## 2 Product Technical Parameters

Item	Parameters
Picture Size	3MP: 1536×2048, 395KB; 5MP: 1944×2592, 675KB; 8MP: 2488×3264, 915KB; 12MP: 3024×4032, 1.25MB; 16MP: 3480×4640, 1.55MB
Video Size	VGA 640x480, 6.8MB(10s); WVGA 800x480, 7.9MB(10s); 720P 1280x720@30fps, 10MB(10s); 1080P 1920x1080@30fps, 21MB(10s)
Work Mode	Day/Night
Lens	FOV=90°,F=2.4,Auto IR-Cut
IR Flash	65 Feet/20 Meters
IR Setting	42 LEDs;850nm or 940nm
Power Saving	On/Off; 20pcs LEDs available when choosing ON; PIR setting activates "Low" sensitivity only when select "On".
LCD Screen	2.4" TFT,RGB
Operation Keypad	7 buttons
Beep Sounds	On/Off; Choose Off to turn off the sounds made by pressing the buttons.
Memory	SD Card(≦64GB)
PIR Level	Low/Normal/High
PIR Sensing Distance	65 Feet/20 Meters
PIR Sensor Angle	90°
Trigger Time	0.5 Seconds(When using 2GB SD card)

PIR Sleep	3 Seconds~60 Minutes, Programmable
Interval	5 Seconds~24 Hour, Programmable
Shooting Numbers	1~6 Photos(1~3 Photos available when choosing 16MP)
Protect Image	Lock Current, Unlock Current; Lock All, Unlock All
Video Length	5 Seconds~10 Minutes, Programmable
Camera + Video	First take picture then Video
Playback Zoom	1~8 Times
Slide Show	3 Seconds/5 Seconds/8 Seconds, Programmable
Multi-Image Show	Nine-rectangle-grid mode to view images
Loop Recording	On/Off
Stamps	On/Off, Temperature, Moon Phase, Logo, Time and Date
Timer 1	On/Off, Programmable
Timer 2	On/Off, Programmable
Password	4 Digit Numbers
Device No.	4 Digit and 26 Alphabet set by yourself
Power Supply	4×AA,Expandable to 8×AA
External DC Power Supply	6V/2A
Stand-by Current	0.4mA
Stand-by Time	3~6 Month(4×AA~8×AA)
Auto Power Off	Auto Power Off in 1-10 minutes while no keypad controlling; Programmable
Power Consumption	200mA (+700mA when IR LED lights up)
Low Battery	4.8V

Alarm	
Interface	TV-out, USB,SD card slot,6V DC External
Mounting	Strap; Tripod Nail
Waterproof	IP66
Work Temperature	-22~+158°F/-30~+70°C
Work Humidity	5%~95%
Dimensions	147.5×100×77 (mm)
Weight	315g
Certification	FCC&CE&ROHS

### 3 Keypad Learning

#### 3.1 Keypad



**MENU**: MENU button, press it to set parameters; Switch among “IMAGE/SET/SYSTEM”; Press “EXIT” button to exit.



**CAMERA**: Up, Quick switch to camera mode.



**Left**: Left, Check the previous one (only available on Replay mode).



**VIDEO**: Down, Quick switch to Video mode.



**REPLAY**: Right, Replay mode, Check the next one (only available on Replay mode).



**SHOT**: Manually take photos or videos (only available on Test mode),  
**EXIT.**



**OK**: Confirm, ZOOM/MOVE.

### 3.2 “REPLAY” Button

With “REPLAY” button and other buttons can review/play/delete photos and videos in SD card; Photos can zoom in/zoom out/move; Nine-rectangle-grid mode to view images; Lock/unlock photos; Slide show, etc.

#### Image Review:

After press “REPLAY” button through ◀/▶ can review photos/videos in SD card.

#### Zoom/Move and Nine-rectangle-grid:

- When review photos, after press “ZOOM” button through ▲/▼ can zoom in/out photos. When zoom out photos to minimum size, photos will show in nine-rectangle-grid mode.
- When zoom in photo, after press “MOVE” button through ▲/▼/◀/▶ can check different parts of the photo.
- Continue pressing “ZOOM/MOVE” button can switch between “ZOOM” and “MOVE”.
- On Nine-rectangle-grid mode, through ▲/▼/◀/▶ can quickly move to chosen photos, press “OK” to check the photo.

#### Playing Video:

When review videos, operation tips will show on the bottom of TFT screen.

Press “OK” to play/pause video.

Press ▲/▼ to stop play video.

Press ◀/▶ to move video forward or backward in 2 times, 4 times, 8 times play speed.

#### Slide Show

Auto play images in the way of slide show. On “Replay” mode, press “MENU” button and choose “Slide Show”, through ◀/▶ can set interval time “3 seconds”, “5 seconds”, “8 seconds”.



Note: When auto play images, the video files will only show the first scene, not play the whole video.

#### Image Lock/Unlock

If locked, images can't be deleted unless you unlock them.

On “REPLAY” mode, press “MENU” button and choose “Protect”,



through ◀/▶ can set “Lock Current”, “Unlock Current”, “Lock All”, “Unlock All”.



Note: On “Replay” mode, above functions can return to previous menu by pressing “EXIT”. Quickly exit “Replay” mode by pressing “CAMERA”/ “VIDEO” to take photos or videos.

## 4 Details of Partial Function

### 4.1 Timer

Set camera to work within specified time period every day. Outside the time period the camera will not be triggered or take photos/videos, it supports 2 groups of timer set.

Default set:

Off, “00:00—00:00”

Off, “00:00—00:00”

For instance: Set camera starting time in 8:00 to 10:00am and 15:30 to 18:00pm:

On, “08:00—10:00”

On, “15:30—18:00”

### 4.2 Set Clock

Set up date and time for camera.

Three choices on date format: “YY/MM/DD”, “MM/DD/YY”, “DD/MM/YY”. Time format: “HH/MM/SS”.



Note: Camera has button lithium battery (super-capacitor) inside, date and time set will keep until battery (super-capacitor) runs out. You need to ask the distributor to change battery, and reset the date and time. Image document attributes and stamps show the time and date of shooting.

### 4.3 Connecting to Computer

Use the camera’s USB cable connects to PC directly, TFT screen will

show the connection symbol, keypad is not working.

Find removable disk in “MY COMPUTER”, then you can read and write to the SD card via computer.



Note: When camera on “OFF” mode and no other power supply, this operation still works if insert the USB cable.

#### **4.4 Connecting to TV**

Use the camera’s TV cable connects to TV RCA directly, Switch camera to “TEST” mode, choose “REPLAY” to review photos/videos in TV.



Note: After connect to TV, TFT screen will shut down automatically to save power!

#### **4.5 Language**

System language, Users can choose different language version to purchase. Default setting is “English”. User can view version number of different language on official website.

#### **4.6 Firmware Upgrades**

The manufacturer reserves the right to upgrade the camera and the firmware. Users can upgrades firmware through SD card (SD card capacity less than 32GB)

Follow the steps below to implement the upgrades:

- 1) Ready a SD cart and format the SD card;
- 2) Copy the “FWD3A.bin” file into root directory of the SD card;
- 3) Insert SD card to camera, while press "OK" button switch camera to “TEST” mode, after blue light flashes loosen the “OK” button.
- 4) Upgrading is underway when blue indicator light flashes continually and TFT screen is off. Keep power on until TFT screen turn on and upgrade process finish (upgrade process needs 1minute).
- 5) Restart and check if the new version number is the same as

the old one, to confirm upgrade process succeed.

## 5 FAQ

Please do the following checks if camera can't start or work normally:

- No battery;
- Battery loaded reversely;
- Run out of battery;
- Battery is not in conformity with the specifications;
- Not switch camera to “ON” mode;
- Not insert SD card;
- SD card full or damaged;
- SD card capacity exceed 64GB;
- Sensitivity of PIR sensor too low.

## **6 Warranty Policy**

We value our customers very highly and would like to ensure that our products and service are always of a top standard. However, if you are experiencing issues with your Bushwhacker products, please take a moment to read through the information below to establish whether your products are covered under the warranty.

### **WARRANTY**

We guarantee our Bushwhacker cameras to be free of defects in materials and workmanship under normal use and service for a period of a limited times after registered date of purchase.

### **EXCLUSIONS**

This warranty does not cover damages caused by misuse, abuse, improper handling or installation, or improper storage conditions and natural disasters, by user installed batteries, or by repair attempts of someone other than our authorized technicians, nor does cover loss or theft.

This warranty extends solely to failures due to defects in materials or workmanship under normal use. It does not cover normal wear of the product. The camera manufacturer can provide extra service for your camera after the warranty expiration, but the customer have to be responsible for extra charges on parts, labor and shipping costs therefore brought.

Please keep the warranty card for guarantee to keep in repair.  
Please contact the regional distributor for more details.

## 7 Contents of box

Carefully unpack camera and check that all of the following components are contained in the box:

Part Name	Quantity
Digital Camera	1
USB Cable	1
TV Cable	1
Strap	1
Manual	1
Warranty Card	1

## **8 Statements**

- 1) The manufacturer reserves the right to amend the content due to editing or typographical errors, product upgrades and other factors which may causes discrepancies. Amendments will be applied to latest user's manual. These are subject to change without prior notice.
- 2) The manufacturer takes no responsibility for any illegal usage. Please comply with local laws and regulations.
- 3) The manufacturer takes no responsibility for user's data loss.
- 4) The manufacturer takes no responsibility for any losses and casualties resulting from misusing products.